

**Engine side**



**Airbox side**



**Dissecting the  
Hitachi carbs**



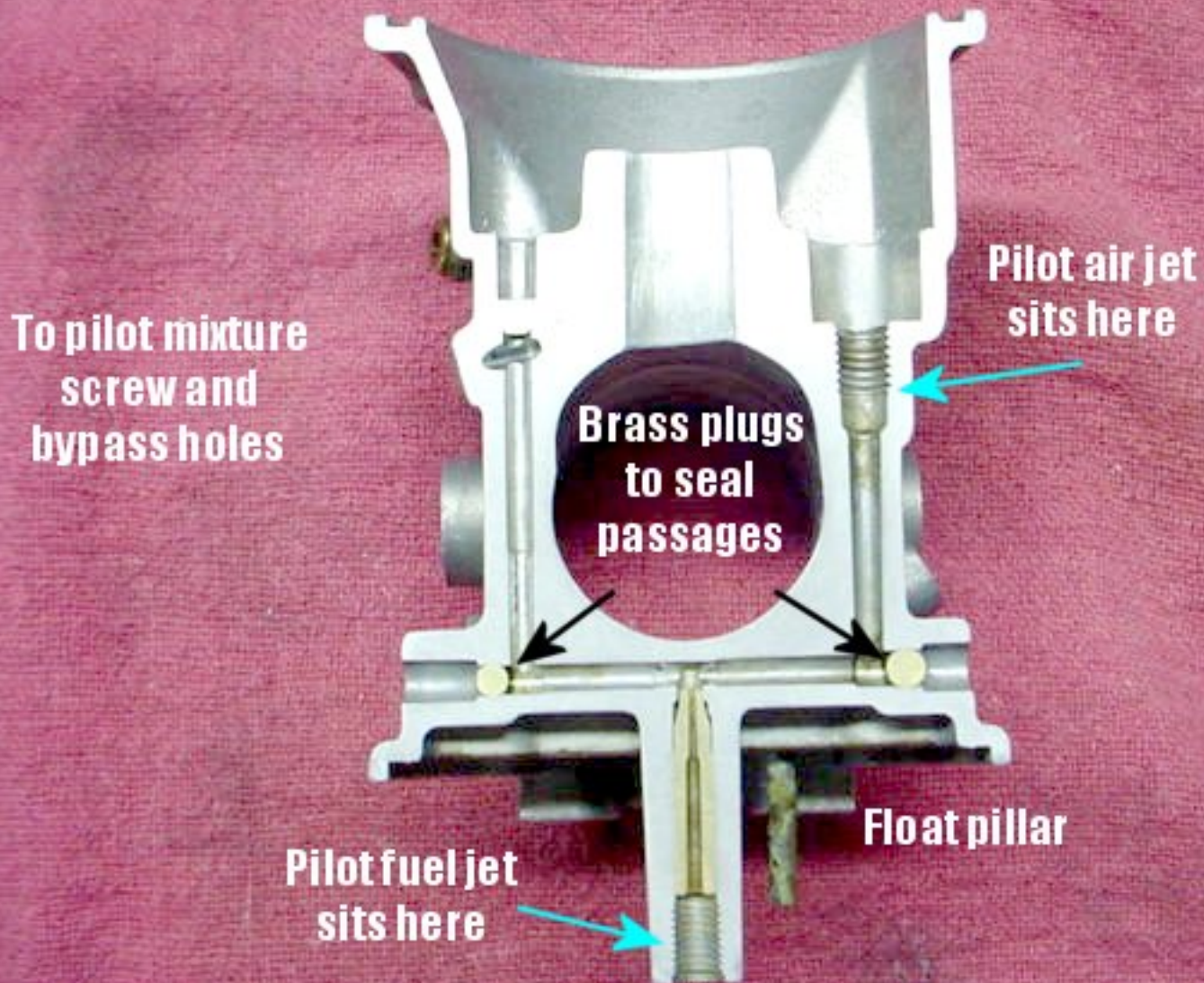


# Pilot Fuel Circuit





# Pilot Fuel Circuit



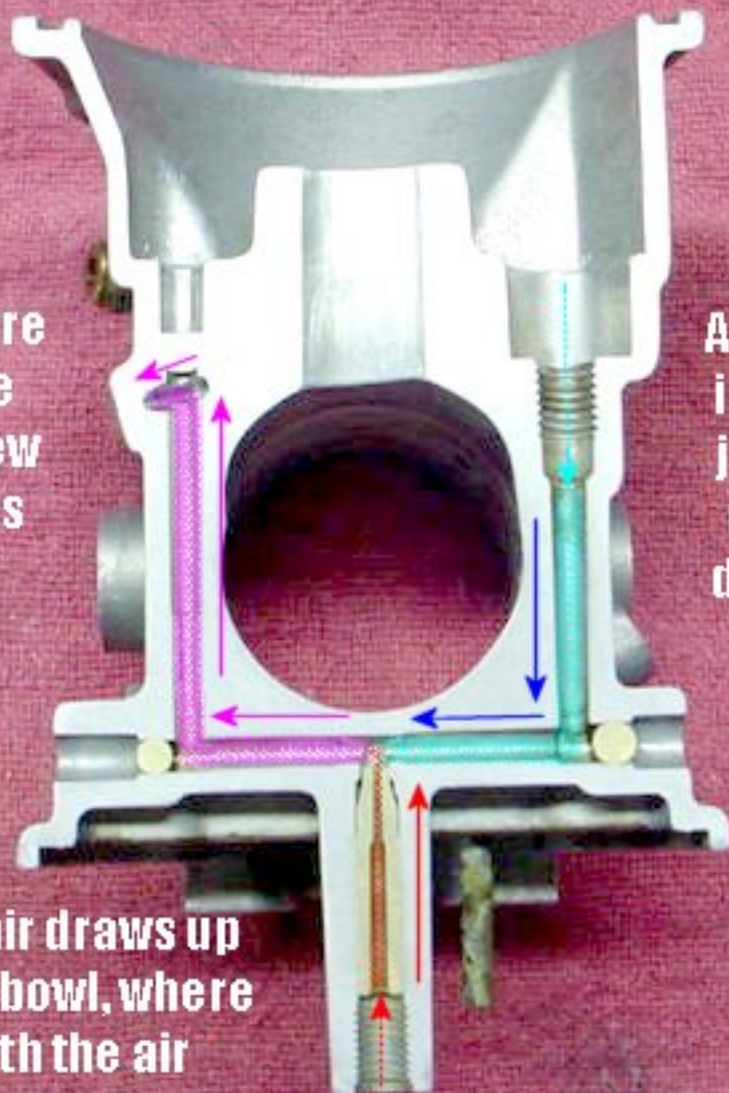


# Pilot Fuel Circuit

The air/fuel mixture is then fed to the pilot mixture screw and bypass holes

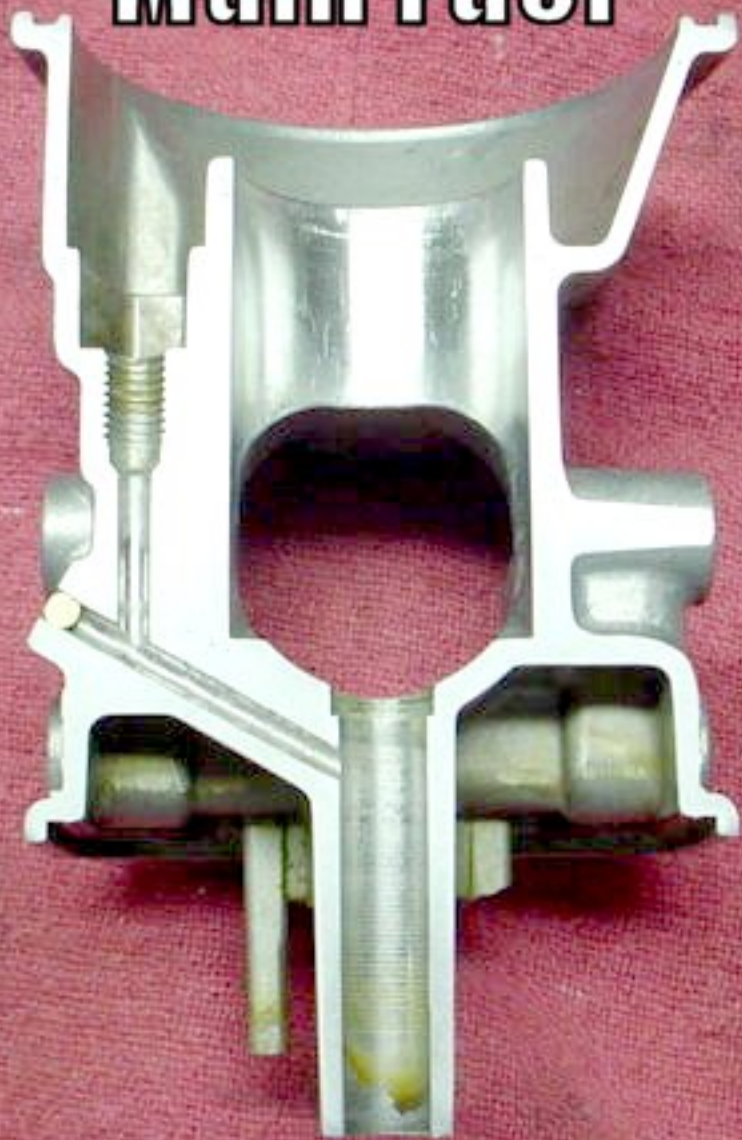
Air is drawn in from the jet located under the diaphragm

The moving air draws up fuel from the bowl, where it mixes with the air





# Main Fuel





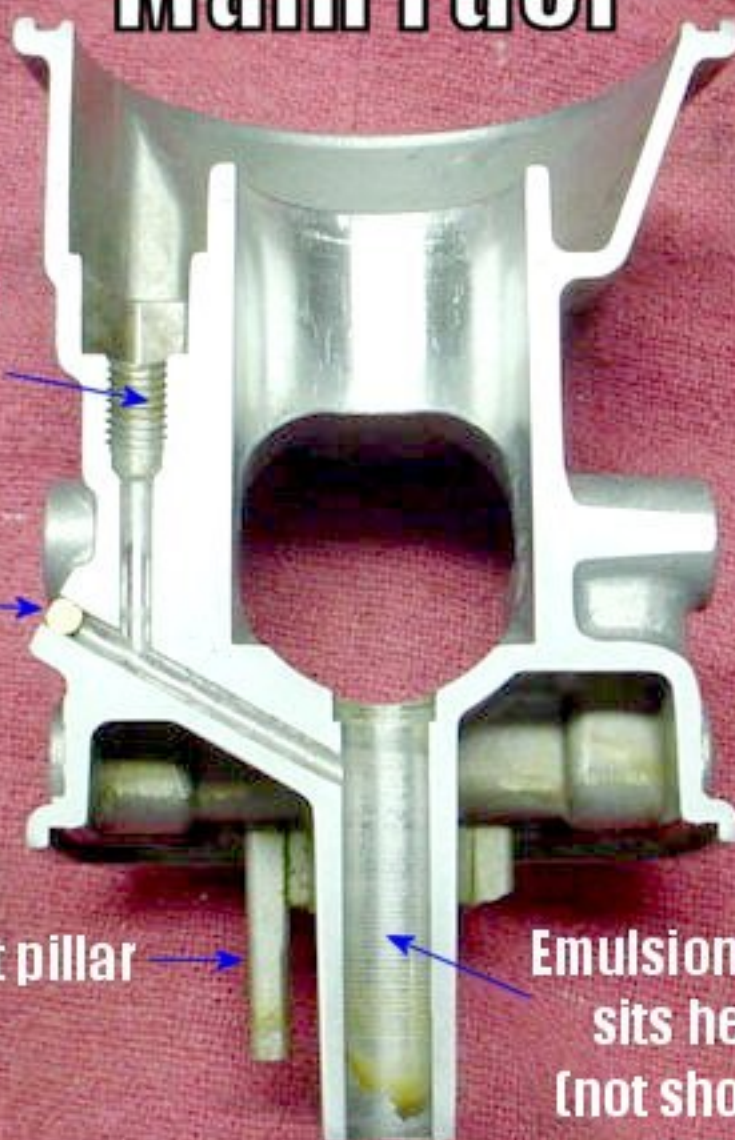
# Main Fuel

Main Air Jet  
sits here

Brass  
sealing plug

Float pillar

Emulsion tube  
sits here  
(not shown)

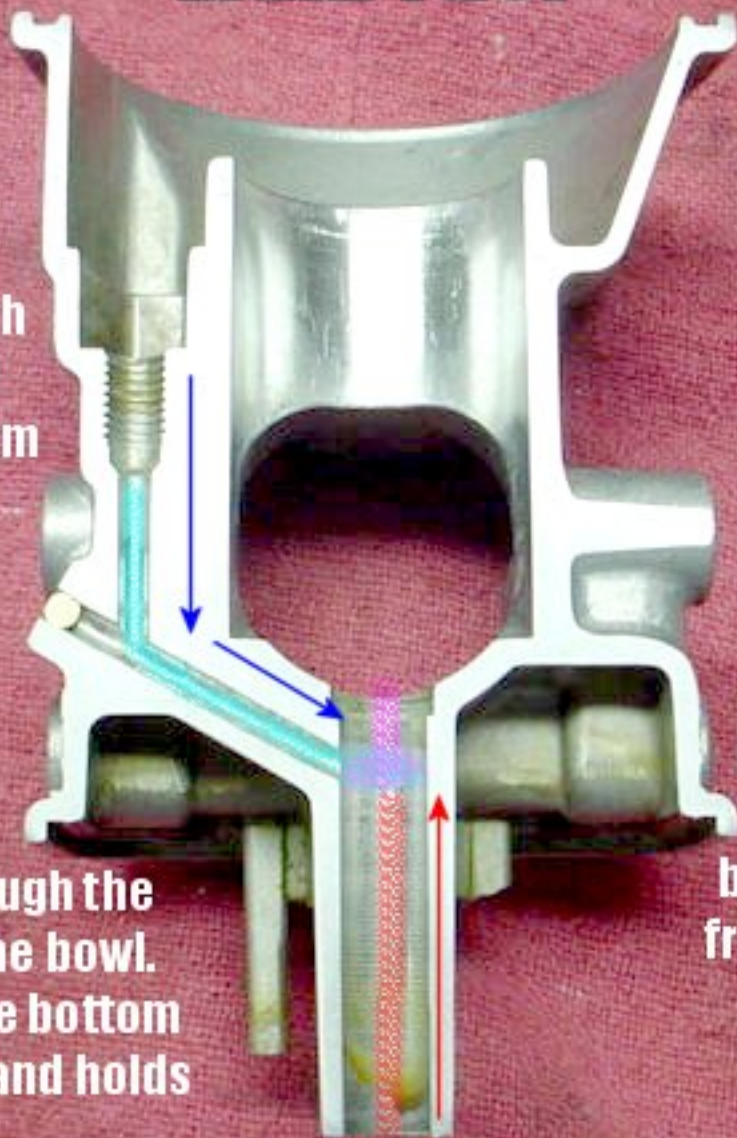




# Main Fuel

Air is drawn in through the main jet located beneath the diaphragm

Fuel is pulled in through the main jet located in the bowl. The jet screws into the bottom of the emulsion tube, and holds it in place



The fuel mixture is drawn out the top of the emulsion tube by the airflow coming from the airbox. It then travels past the butterfly and is fed into the engine